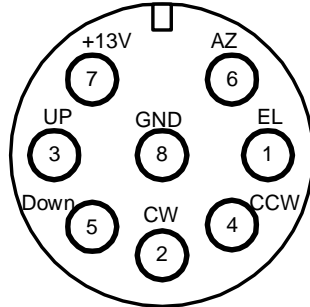
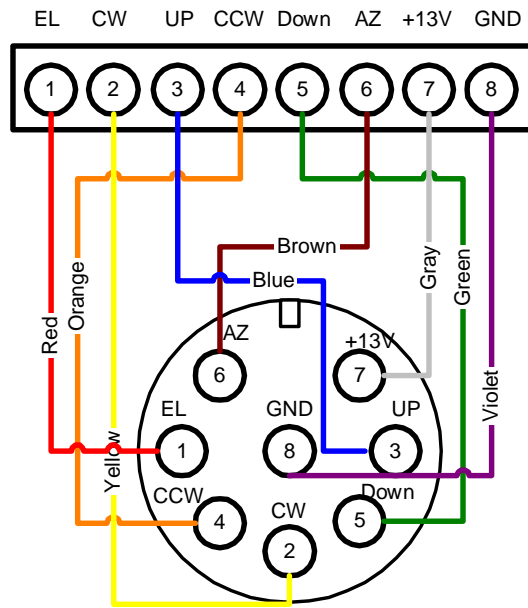


LVB Tracker Box to Yaesu 5400/5500 Rotor cable

External control socket on the rear of 540/5500 rotor



LVB Tracker J1



Looking into the Plug from LVB Tracker with Mouse cable
172-0008

Note that the connections are 1-1, 2-2, 3-3, ...

** Check your own cable, the colors may not be consistent