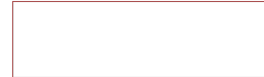


primary_power



File: primary_power.kicad_sch

Power_AMP



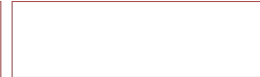
File: Power_Amp.kicad_sch

TX_ax5043



File: TX_ax5043.kicad_sch

RX_1_ax5044



File: RX_1_ax5043.kicad_sch

RX_2_ax5045



File: RX_2_ax5043.kicad_sch

RX_3_ax5045



File: RX_3_ax5043.kicad_sch

RX_4_ax5045



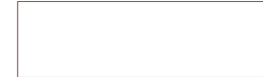
File: RX_4_ax5043.kicad_sch

Power_Divider



File: Power_Divider.kicad_sch

Clocks



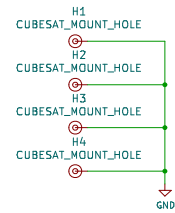
File: Clocks.kicad_sch

SPI_CTL



File: SPLCTL.kicad_sch

TODO: ANALOG SIGNAL CONDITIONING ON ALL I/O
Check clock generators
Assign clock frequencies
develop frequency plan
check settings for PSK modulation
Check Power supplies



Z. Metzinger

AMSAT-NA

Sheet: 7

File: Pacsat_AX0053_only.kicad_sch

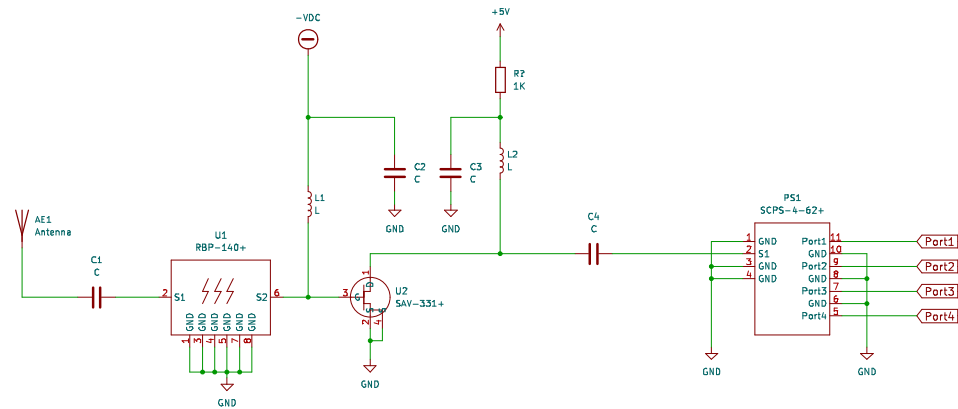
Title: Radiation Tolerant Internal Housekeeping Unit (IHU)

Size: USLedger | Date: 2019-12-23

Rev: 1.1

KiCad E.D.A. KiCad 6.0.8-f2edb62db-116-ubuntu20.04.1

Id: 1/11



Z. Metzinger

AMSAT-NA

Sheet: /Power_Divider/

File: Power_Divider.kicad_sch

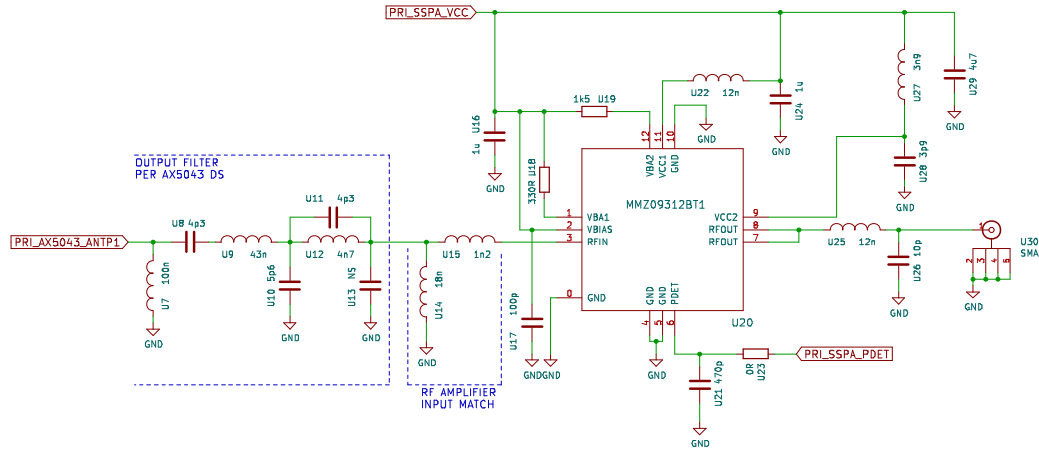
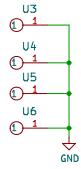
Title: Radiation Tolerant Internal Housekeeping Unit (IHU)

Size: USLedger | Date: 2019-12-23

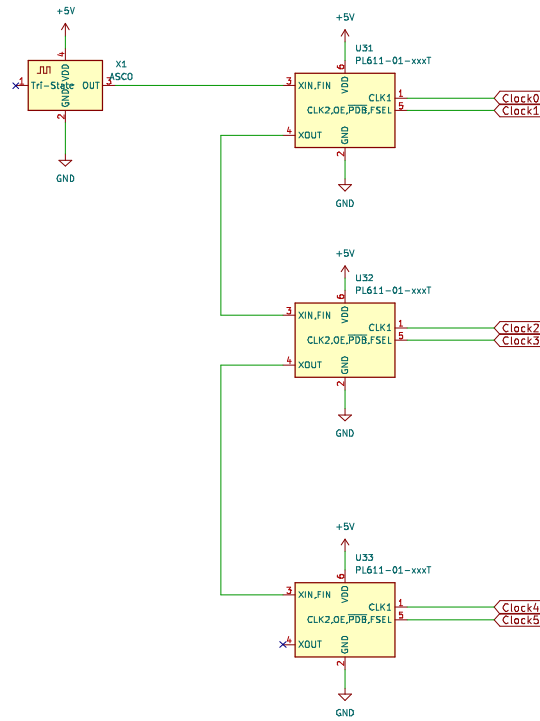
Rev: 1.1

KiCad E.D.A. | KiCad 6.0.8-f2edb62db-116-ubuntu20.04.1

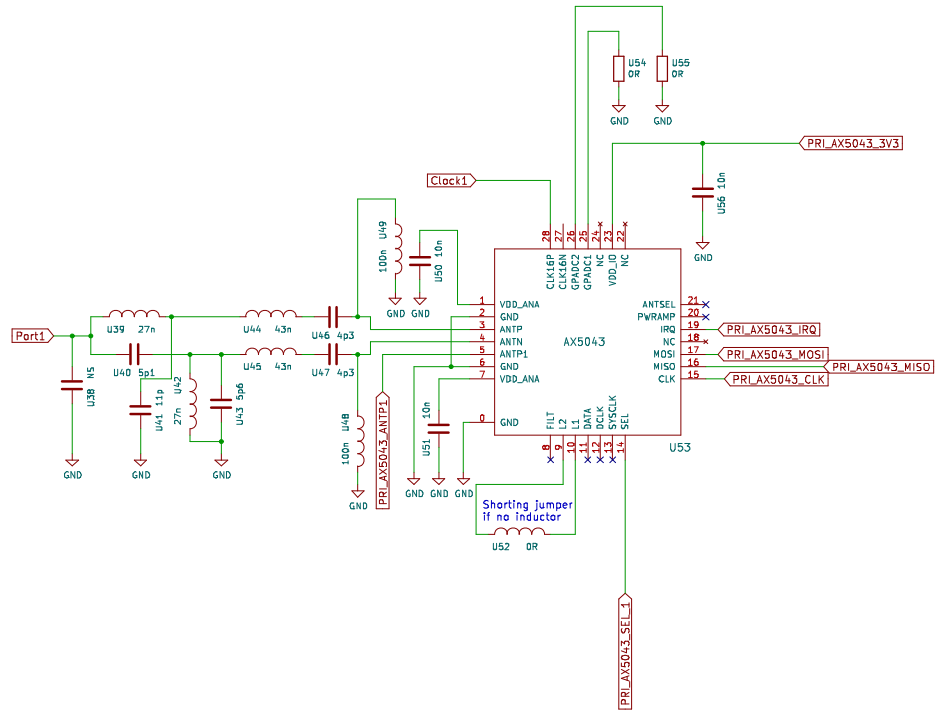
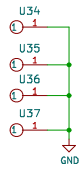
Id: 2/11



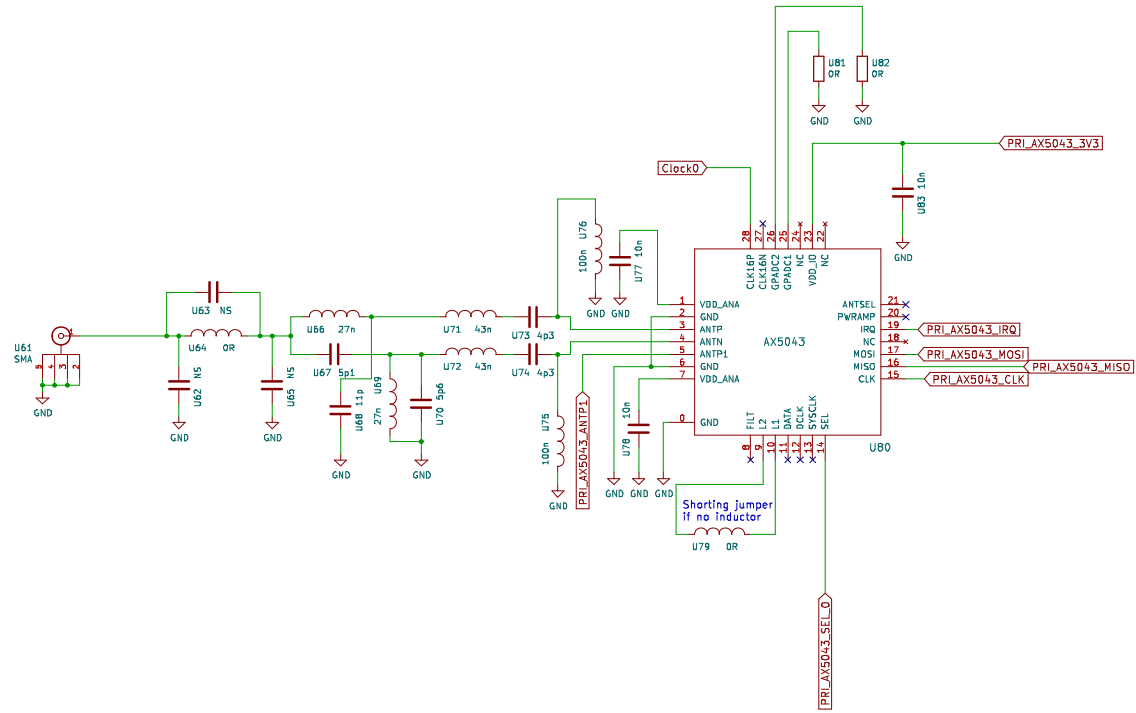
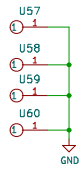
Z. Metzinger		
AMSAT-NA		
Sheet: /Power_Amp/		
File: Power_Amp.kicad_sch		
Title: Radiation Tolerant Internal Housekeeping Unit (IHU)		
Size: USLedger	Date: 2019-12-23	Rev: 1.1
KiCad E.D.A.	Kicad 6.0.8-f2edb624b-116-ubuntu20.04.1	Id: 3/11



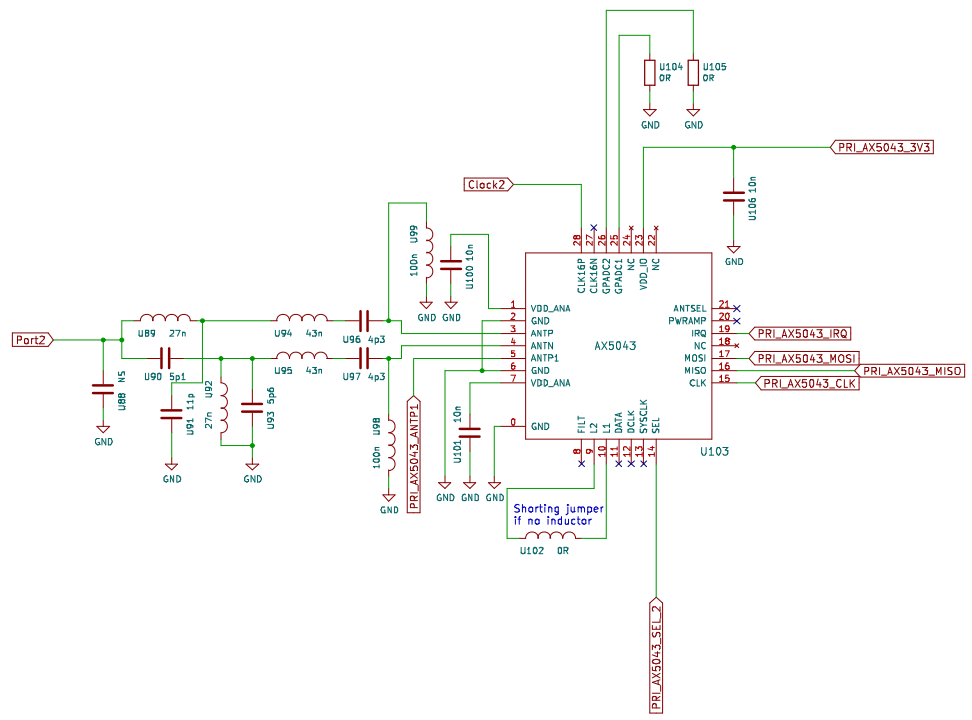
Z. Metzinger	
AMSAT-NA	
Sheet: /Clocks/	
File: Clocks.kicad_sch	
Title: Radiation Tolerant Internal Housekeeping Unit (IHU)	
Size: USLedger	Date: 2019-12-23
KiCad E.D.A. Kicad 6.0.8-f2edb624b-116-ubuntu20.04.1	Rev: 1.1
	Id: 4/11



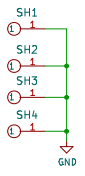
Z. Metzinger		
AMSAT-NA		
Sheet: /RX_1_ax5044/		
File: RX_1_ax5043.kicad_sch		
Title: Radiation Tolerant Internal Housekeeping Unit (IHU)		
Size: USLedger	Date: 2019-12-23	Rev: 1.1
KiCad E.D.A.	KiCad 6.0.8-f2edb624b-116-ubuntu20.04.1	Id: 5/11



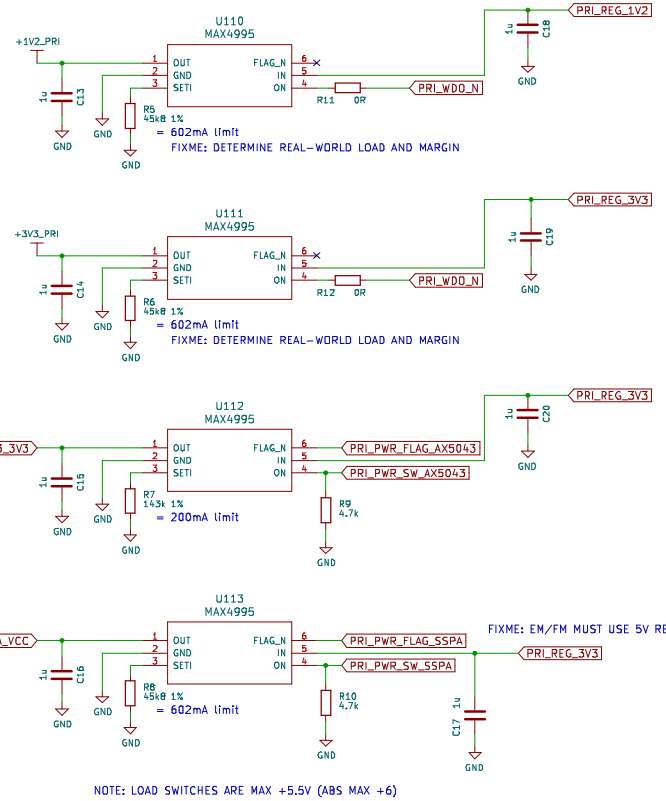
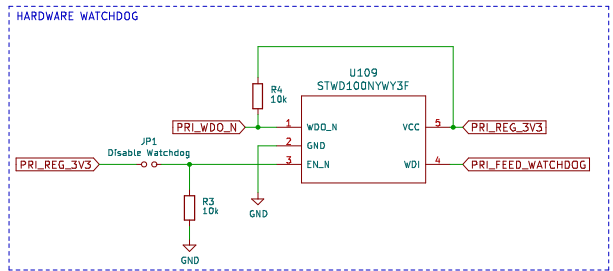
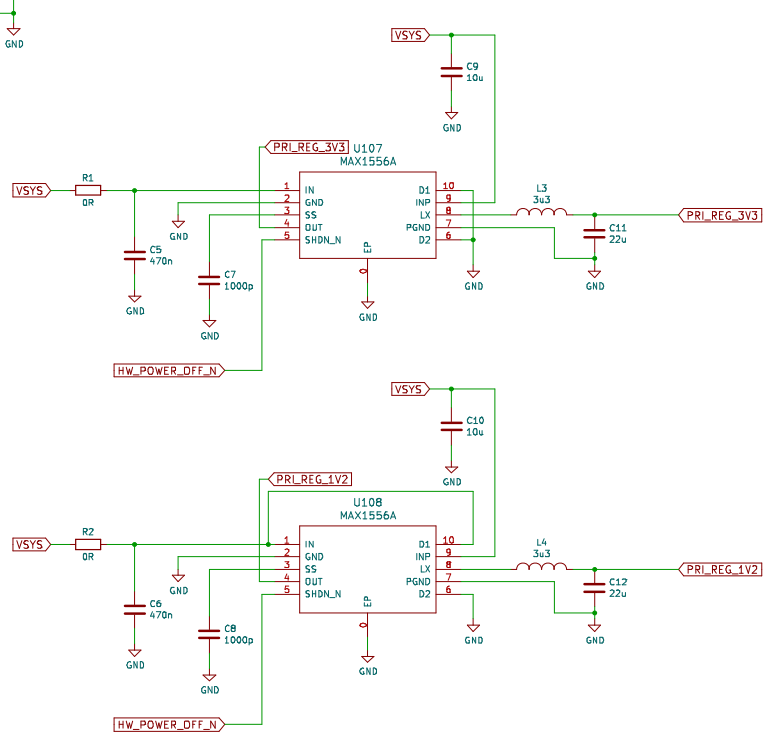
Z. Metzinger		
AMSAT-NA		
Sheet: /TX_ax5043/		
File: TX_ax5043.kicad_sch		
Title: Radiation Tolerant Internal Housekeeping Unit (IHU)		
Size: USLedger	Date: 2019-12-23	Rev: 1.1
KiCad E.D.A.	KiCad 6.0.8-f2edb624b-116-ubuntu20.04.1	Id: 6/11



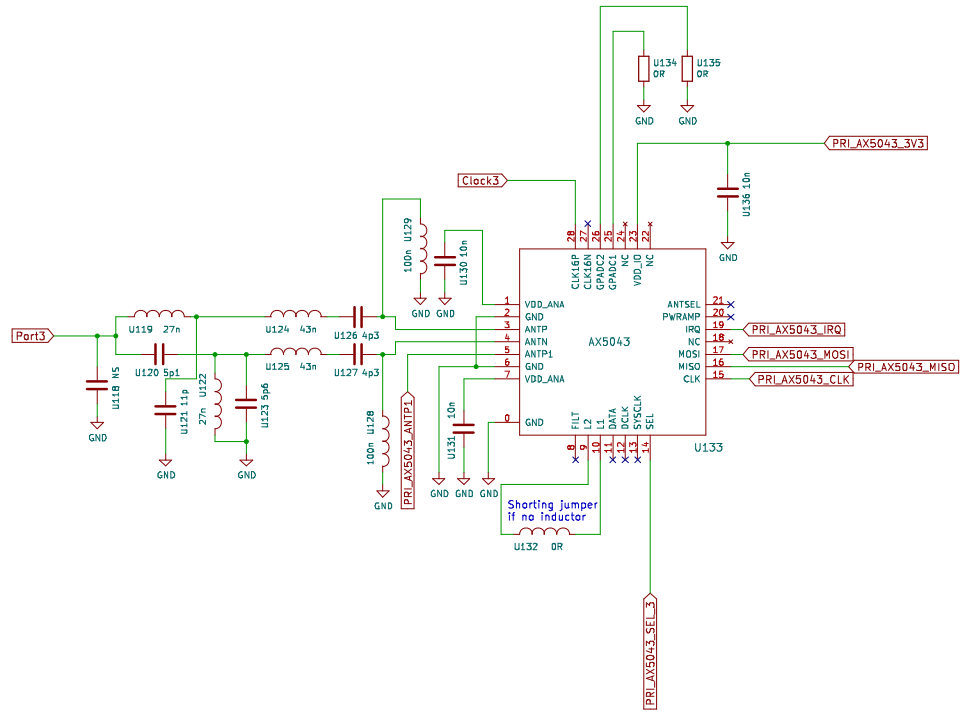
Z. Metzinger		
AMSAT-NA		
Sheet: /RX_2_ax5045/		
File: RX_2_ax5043.kicad_sch		
Title: Radiation Tolerant Internal Housekeeping Unit (IHU)		
Size: USLedger	Date: 2019-12-23	Rev: 1.1
KiCad E.D.A.	KiCad 6.0.8-f2edb624b-116-ubuntu20.04.1	Id: 7/11



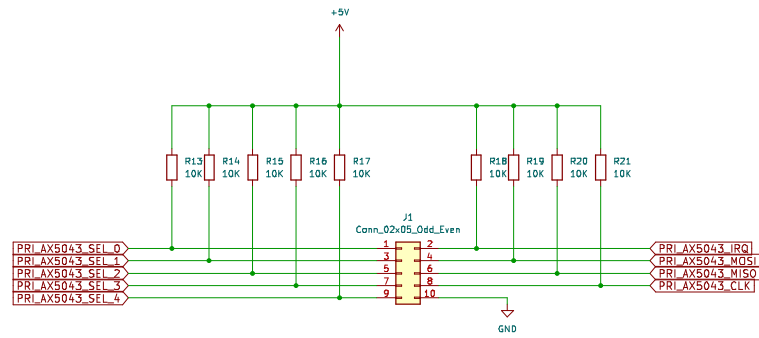
ToDo: Add a negative Power generator for FET bias



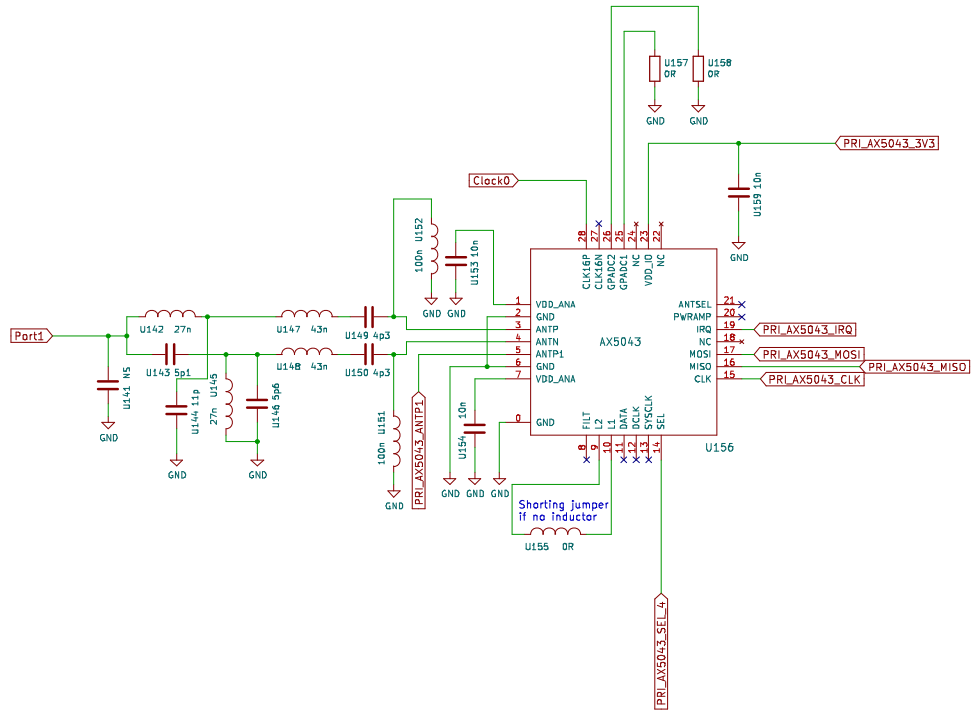
Z. Metzinger			
AMSAT-NA			
Sheet: /primary_power/			
File: primary_power:kicad_sch			
Title: Radiation Tolerant Internal Housekeeping Unit (IHU)			
Size: USLedger	Date: 2019-12-23	Rev: 1.1	
KiCad E.D.A.	KiCad 6.0.8-f2edb62ab-116-ubuntu20.04.1	Id: 8/11	



Z. Metzinger		
AMSAT-NA		
Sheet: /RX_3_ax5045/		
File: RX_3_ax5043.kicad_sch		
Title: Radiation Tolerant Internal Housekeeping Unit (IHU)		
Size: USLedger	Date: 2019-12-23	Rev: 1.1
KiCad E.D.A.	Kicad 6.0.8-f2edb62db-116-ubuntu20.04.1	Id: 9/11



Z. Metzinger
AMSAT-NA
 Sheet: /SPLCTL/
 File: SPLCTL.kicad_sch
Title: Radiation Tolerant Internal Housekeeping Unit (IHU)
 Size: USLedger | Date: 2019-12-23 | Rev: 1.1
 KiCad E.D.A. Kicad 6.0.8-f2edb62ab-116-ubuntu20.04.1 | Id: 10/11



Z. Metzinger		
AMSAT-NA		
Sheet: /RX_4_ax5045/		
File: RX_4_ax5043.kicad_sch		
Title: Radiation Tolerant Internal Housekeeping Unit (IHU)		
Size: USLedger	Date: 2019-12-23	Rev: 1.1
KiCad E.D.A.	Kicad 6.0.8-f2edb62db-116-ubuntu20.04.1	Id: 11/11