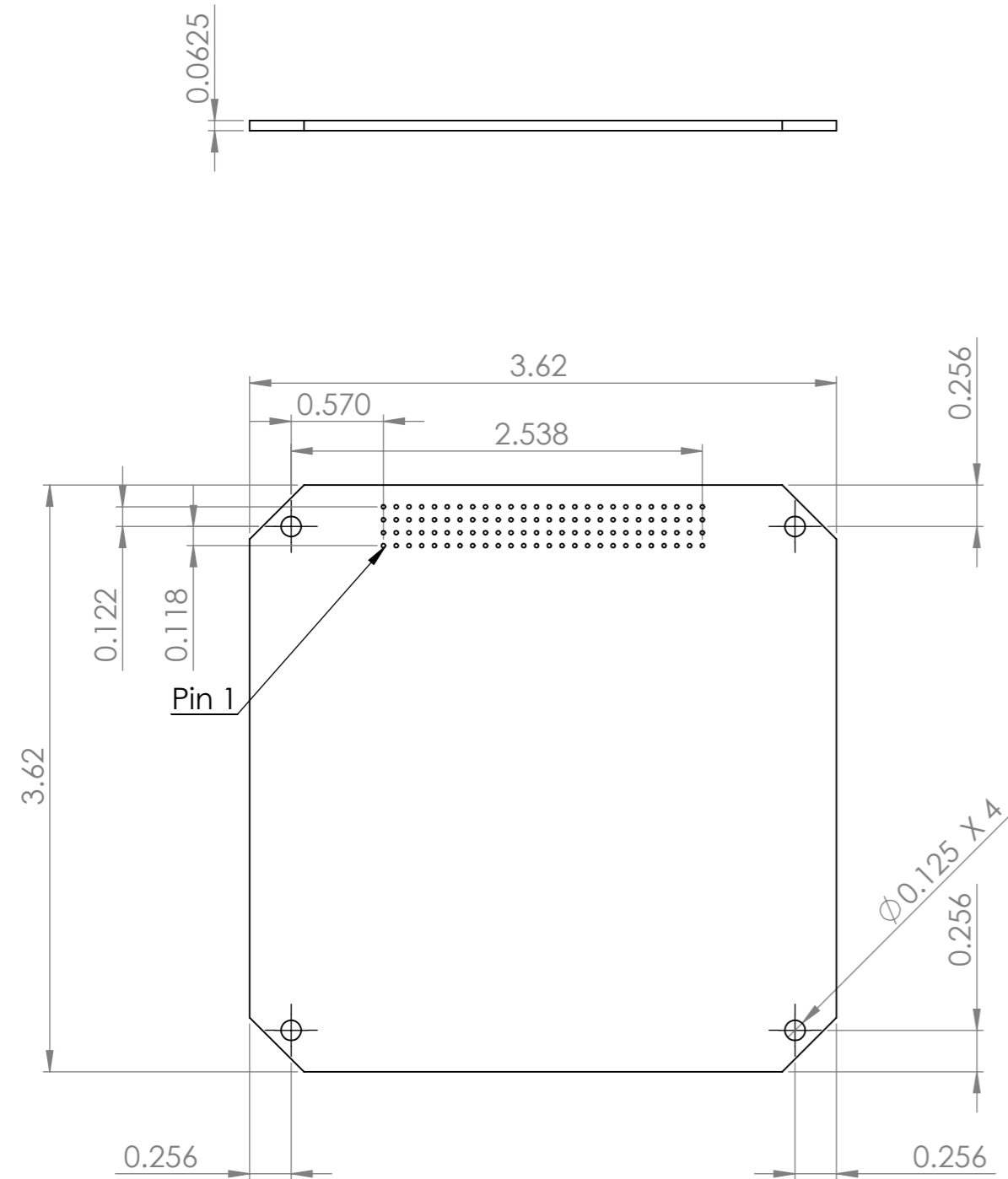


- LAYOUT NOTES:
 1) 6 Layer board.
 2) Use standard FR-4 material
 3) Goal is to have 5% Impedance tolerance but TBD
 4) Employ lead free processing

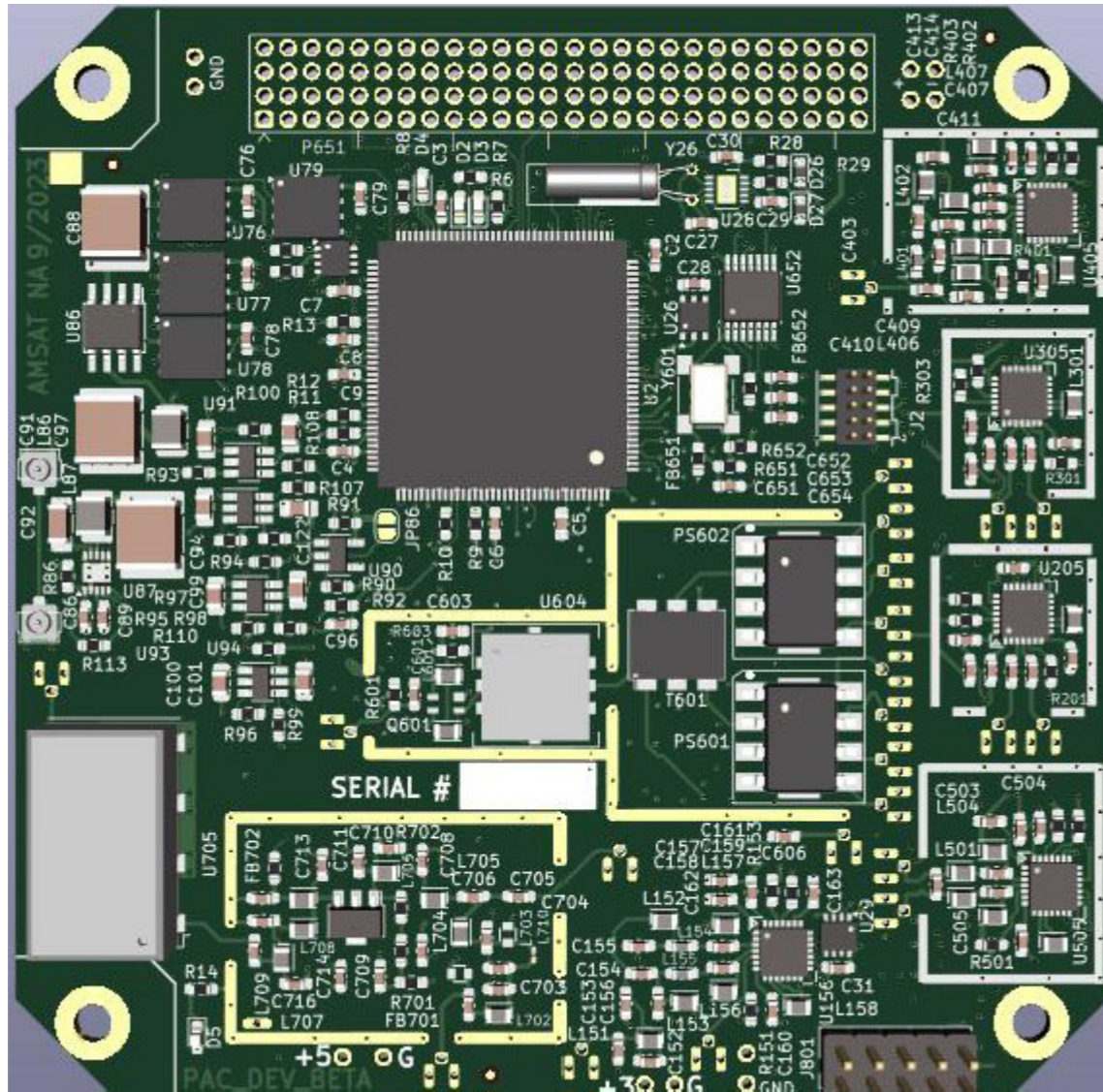


For Reference Only:

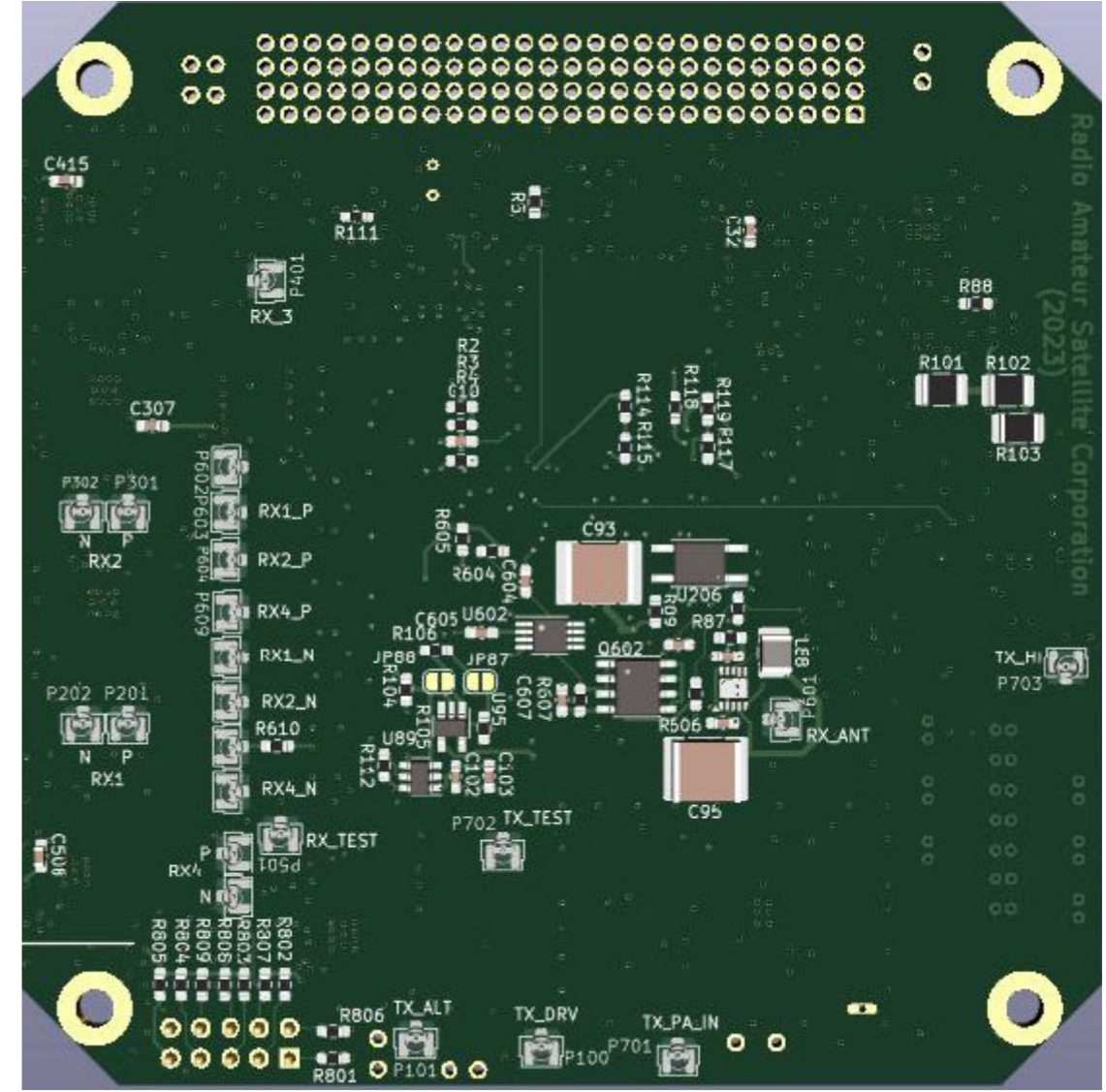
Propose PCB Stack Up				50 Ohms		
Layer	Type	Thickness (mil)		Trace width	Ref. layers	Calculated impedance
Top side solder mask		0.8	mils			
L1	copper+plating	1.4	mils	13mils	L2	50.83
		8	mils			
L2	copper	1.4	mils			
		5	mils			
L3	copper	1.4	mils			
		27.55	mils			
L4	copper	1.4	mils			
		5	mils			
L5	copper	1.4	mils			
		8	mils			
L6	copper+plating	1.4	mils	13mils	L5	50.83
Bottom side solder mask		0.8	mils			
TOTAL		63.55	mils			
		1.61	mm			

Rev A: 240417 Added dimensions for connector mounting holes.

UNLESS OTHERWISE SPECIFIED: DIMENSIONS ARE IN MILLIMETERS SURFACE FINISH: TOLERANCES: LINEAR: ANGULAR:		FINISH: Hot Air Solder Reflow		DEBUR AND BREAK SHARP EDGES		DO NOT SCALE DRAWING		REVISION	
NAME	SIGNATURE	DATE				TITLE: PacSat Dev PCB			
DRAWN RSS N5BRG		230927				DWG NO. RSS2023092701		A3	
CHK'D						SCALE:1:1		SHEET 1 OF 2	
APP'VD									
MFG									
Q.A					MATERIAL: FR4				
					WEIGHT:				



Top Side



Bottom Side

UNLESS OTHERWISE SPECIFIED: DIMENSIONS ARE IN MILLIMETERS SURFACE FINISH: TOLERANCES: LINEAR: ANGULAR:				FINISH:		DEBUR AND BREAK SHARP EDGES		DO NOT SCALE DRAWING		REVISION	
DRAWN				NAME		SIGNATURE		DATE		TITLE:	
RSS N5BRG								230927		PacSat Dev PCB	
CHK'D										DWG NO.	
APPV'D										RSS2023092701	
MFG										A3	
Q.A								MATERIAL:		SCALE:1:1	
								FR4		SHEET 2 OF 2	
								WEIGHT:			