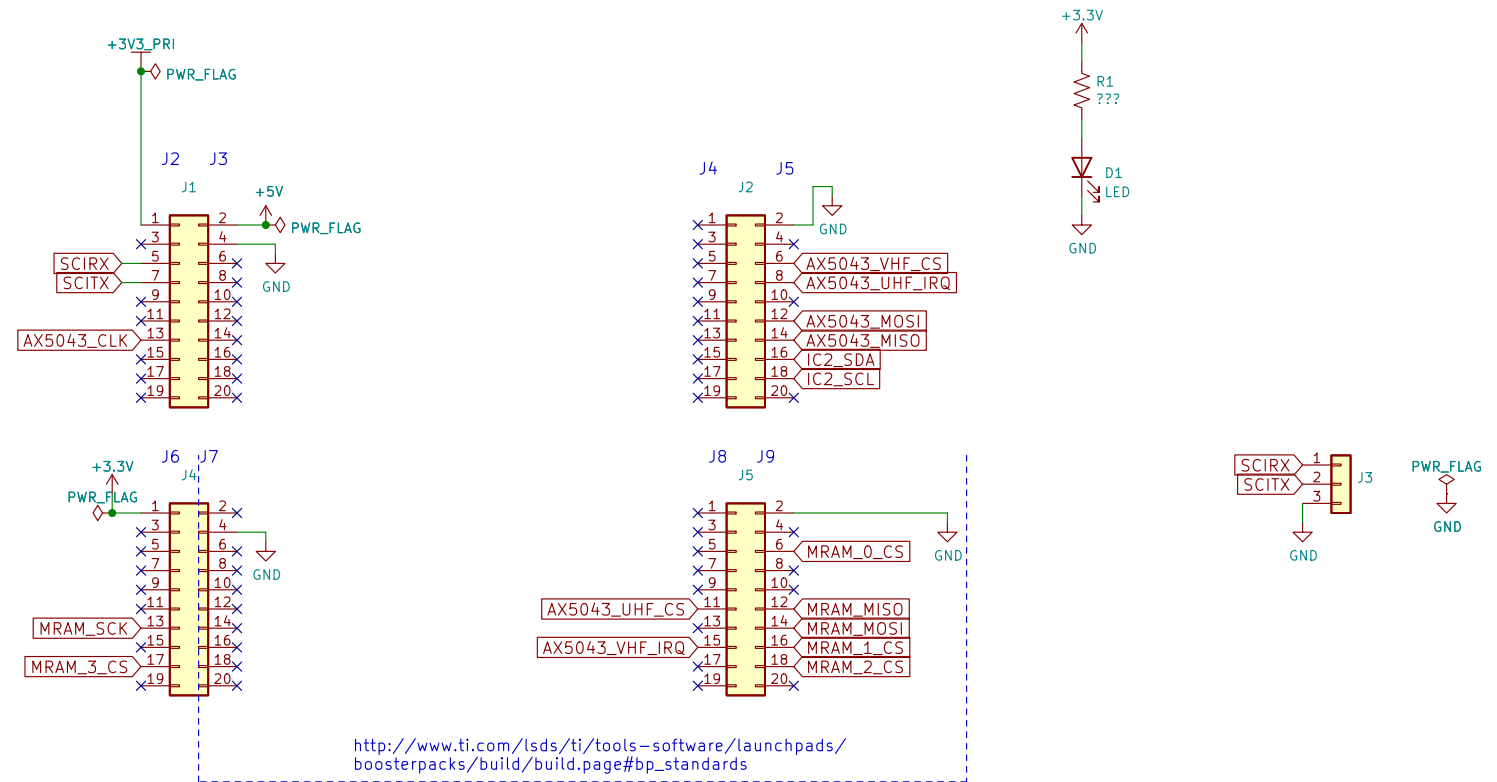


V 1.0 12/09/2022
Initial version

V 1.1 04/12/2023
Replace AX5043 footprint.
Improve trace paths.

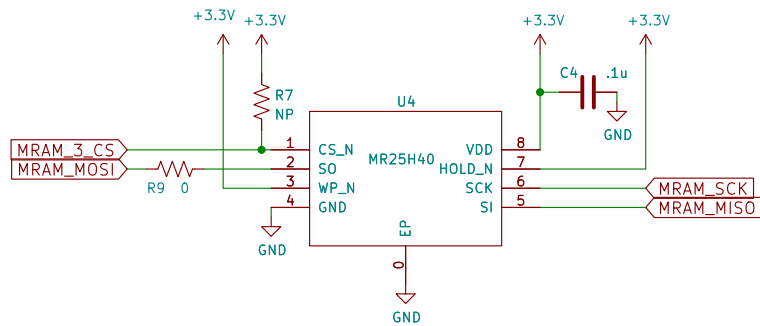
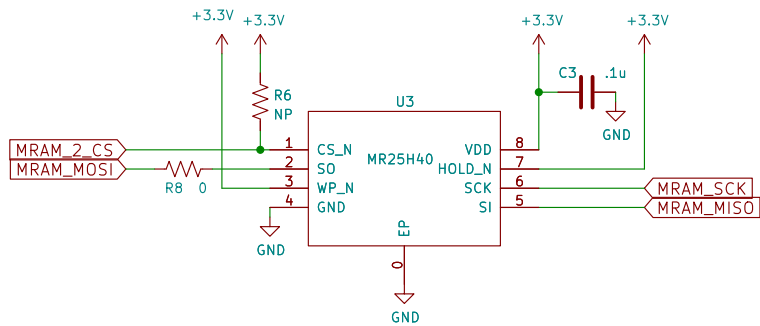
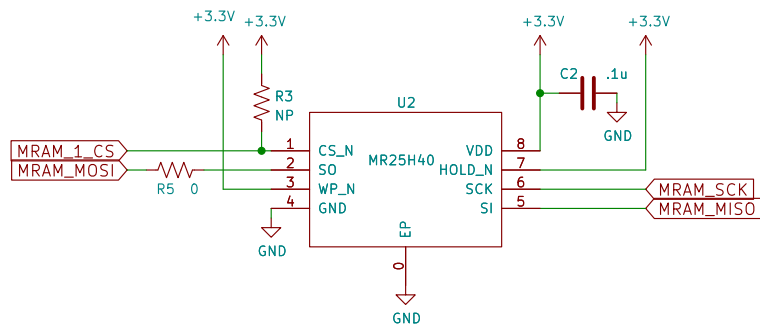
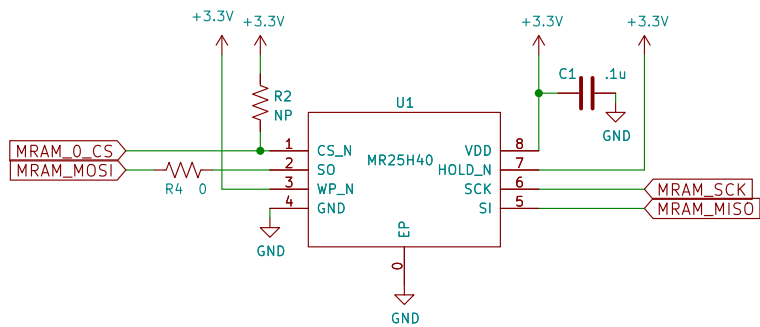
V 1.2 04/26/2023
Correct J5 pad assignments (MOSI/MISO swap)

UNBUILT



JESSE MARROQUIN -- ORIGINAL SCHEMATIC
ZACH METZINGER -- ADDED RF AMP, CAN XCVR, & TEMP SENSOR
JIM MCCULLERS -- PACSAT

AMSAT-NA		
Sheet: /		
File: ax5043_booster.kicad_sch		
Title: AX5043 PACSAT TMS-570 LaunchPad Daughter Board		
Size: B	Date: 2022-12-09	Rev: 1.1
KiCad E.D.A. kicad (6.0.10)		Id: 1/4



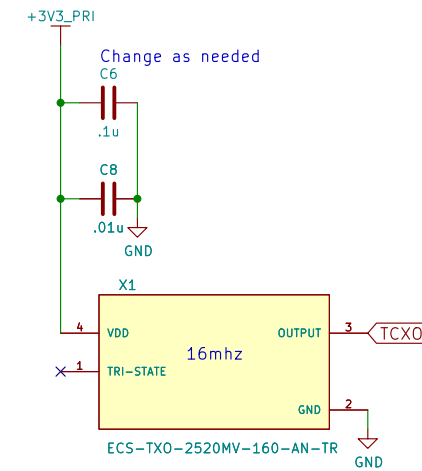
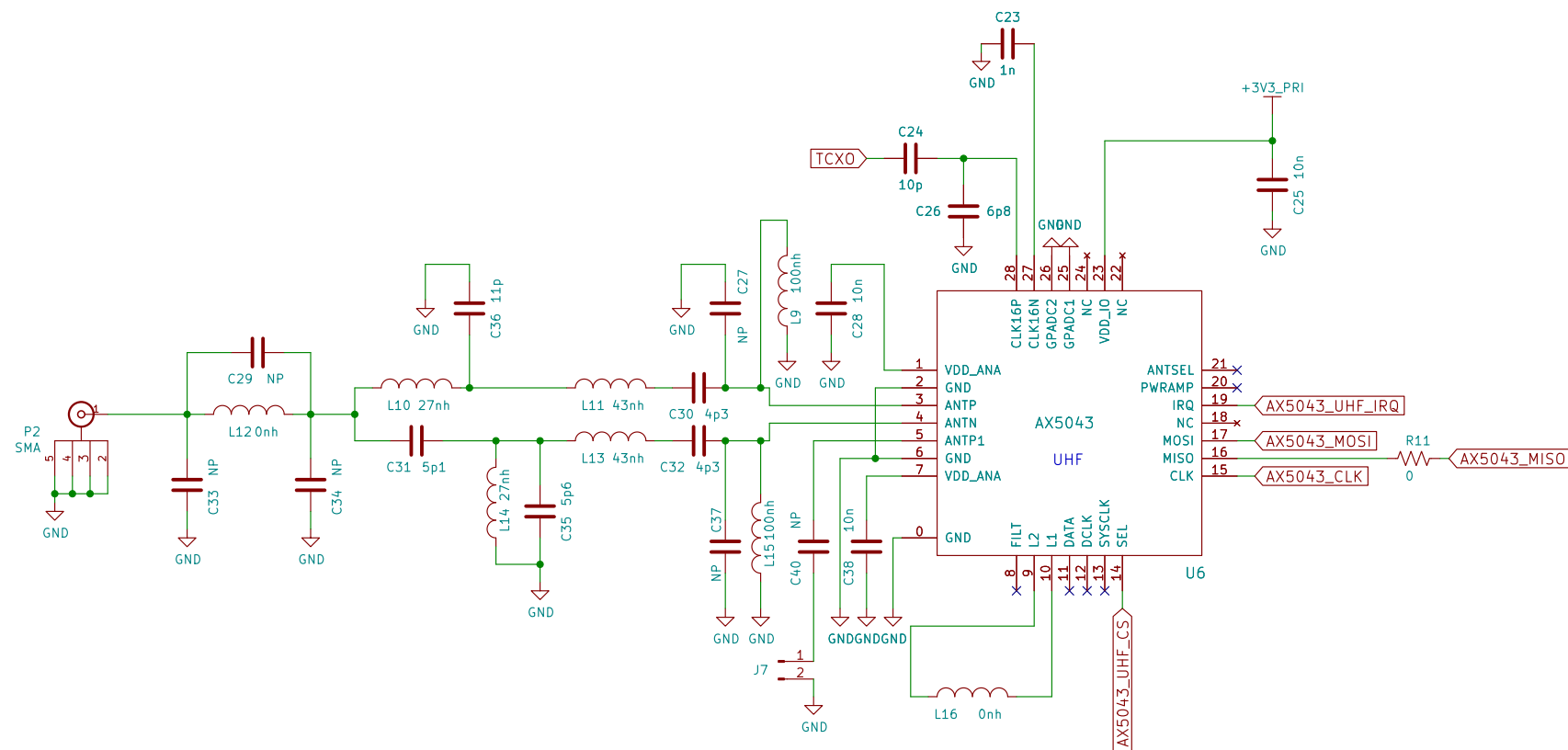
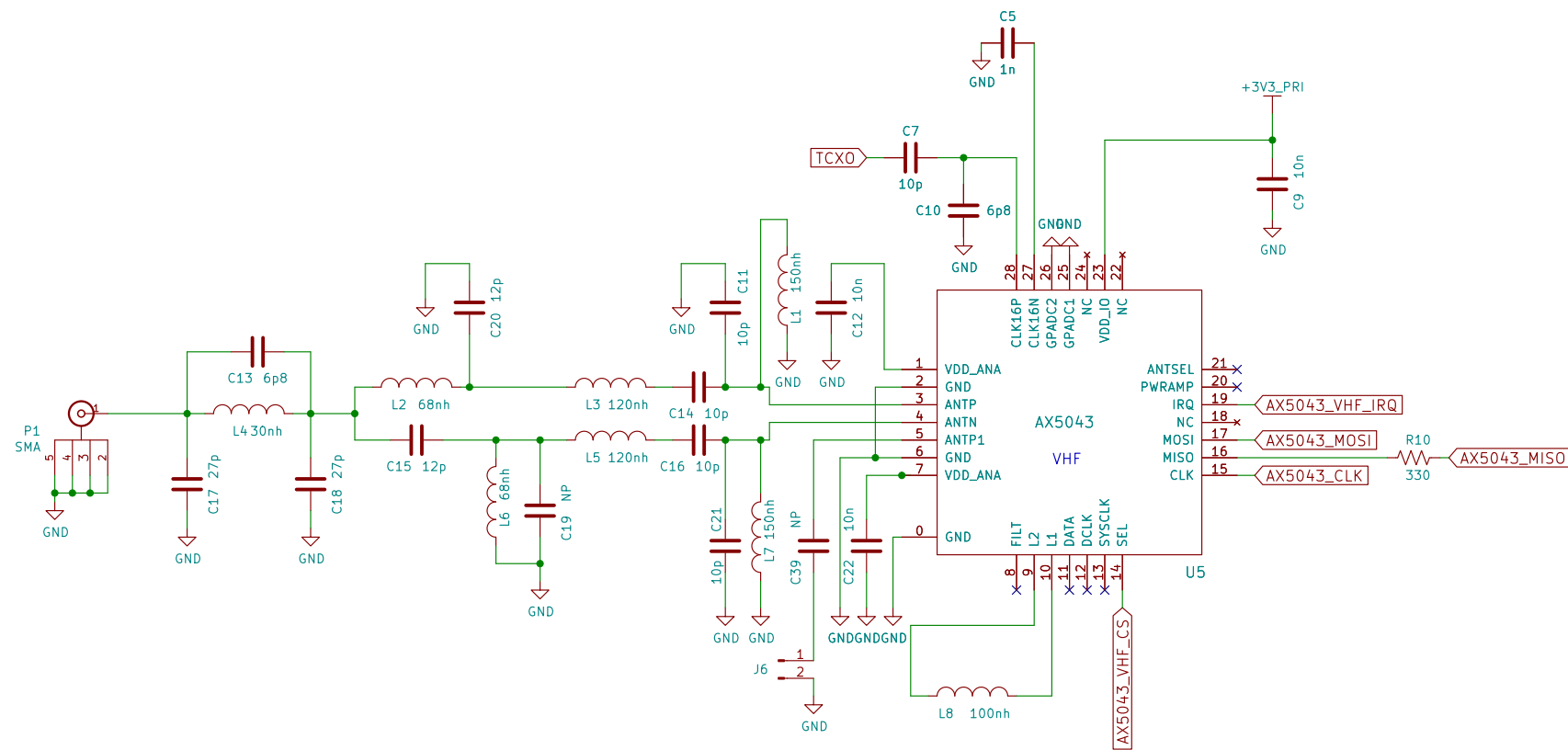
AMSAT-NA

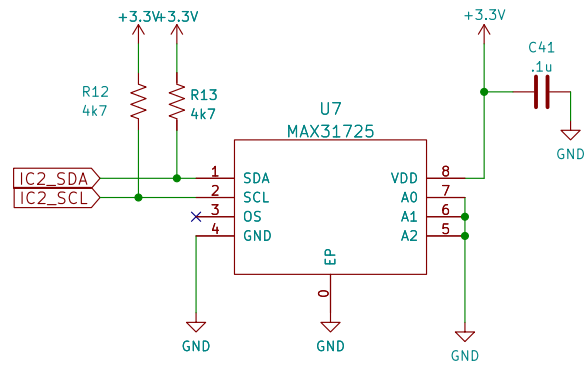
Sheet: /memory/
File: memory.kicad_sch

Title: AX5043 PACSAT TMS-570 LaunchPad Daughter Board

Size: A4 Date: 2022-12-09
KiCad E.D.A. kicad (6.0.10)

Rev: 1.1
Id: 2/4





AMSAT-NA

Sheet: /Telemetry/
File: telemetry.kicad_sch

Title: AX5043 PACSAT TMS-570 LaunchPad Daughter Board

Size: A4 Date: 2022-12-09
KiCad E.D.A. kicad (6.0.10)

Rev: 1.1
Id: 4/4