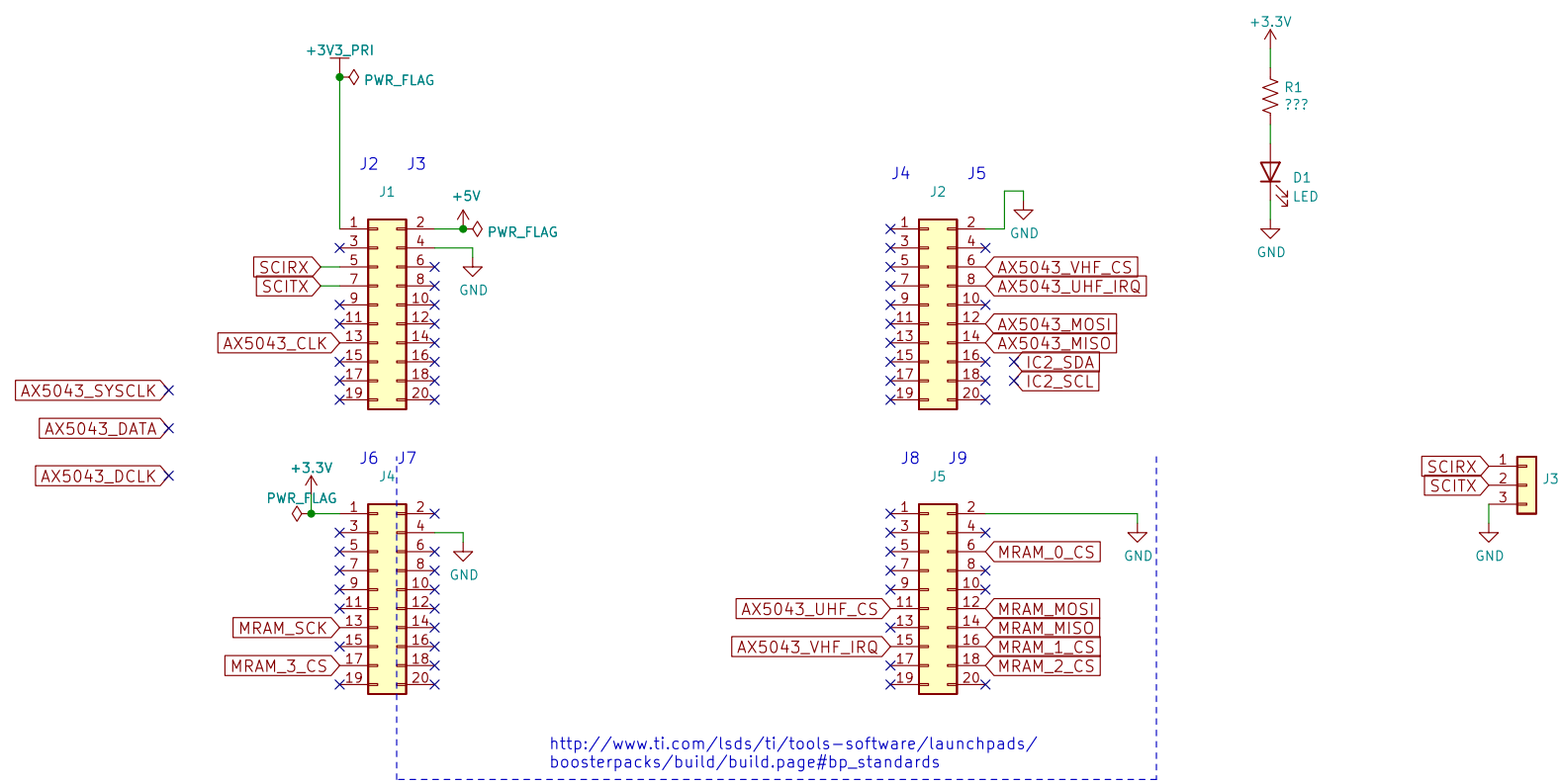


memory
File: memory.kicad_sch

RF
File: rf.kicad_sch



http://www.ti.com/lscds/ti/tools-software/launchpads/boosterpacks/build/build.page#bp_standards



JESSE MARROQUIN -- ORIGINAL SCHEMATIC
ZACH METZINGER -- ADDED RF AMP, CAN XCVR, & TEMP SENSOR
JIM MCCULLERS -- PACSAT

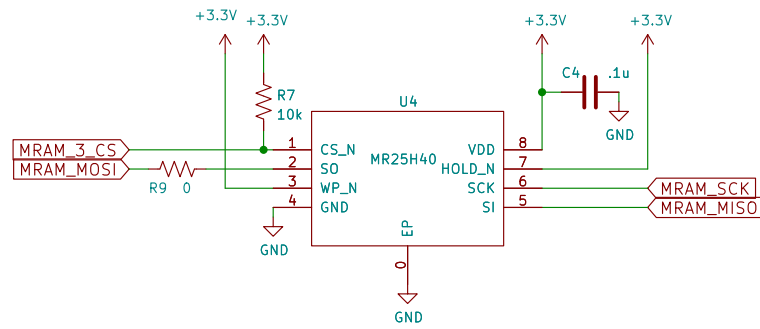
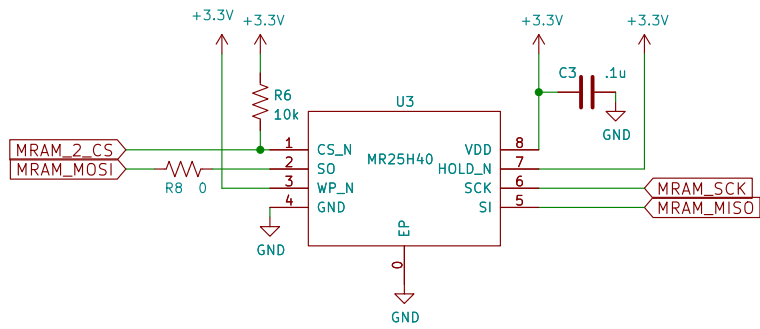
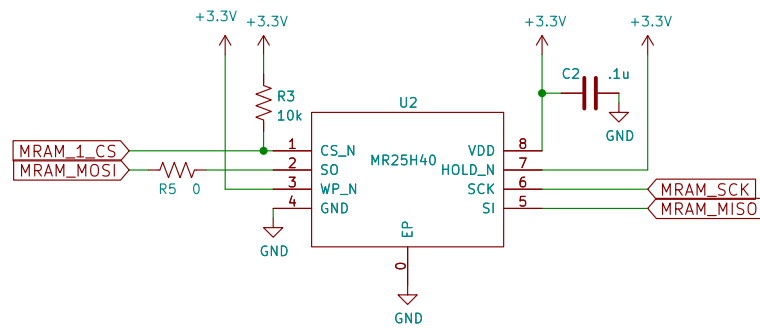
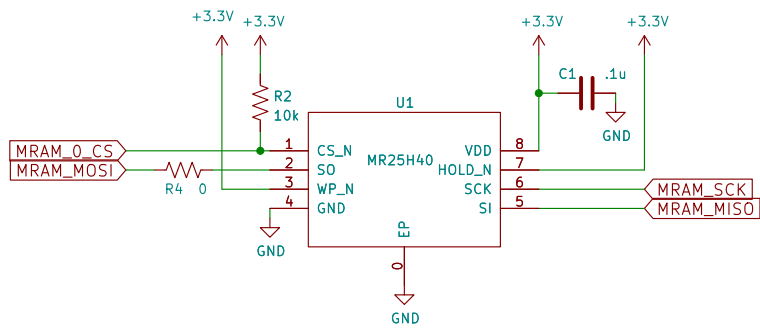
AMSAT-NA

Sheet: /
File: ax5043_booster.kicad_sch

Title: AX5043 PACSATBOOSTER PACK

Size: B Date: 2022-12-09
KiCad E.D.A. kicad (6.0.10)

Rev: 1.0
Id: 1/3



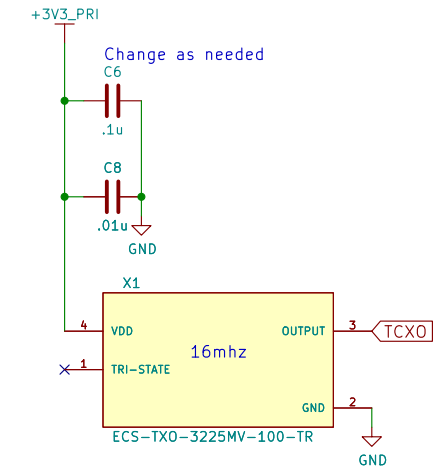
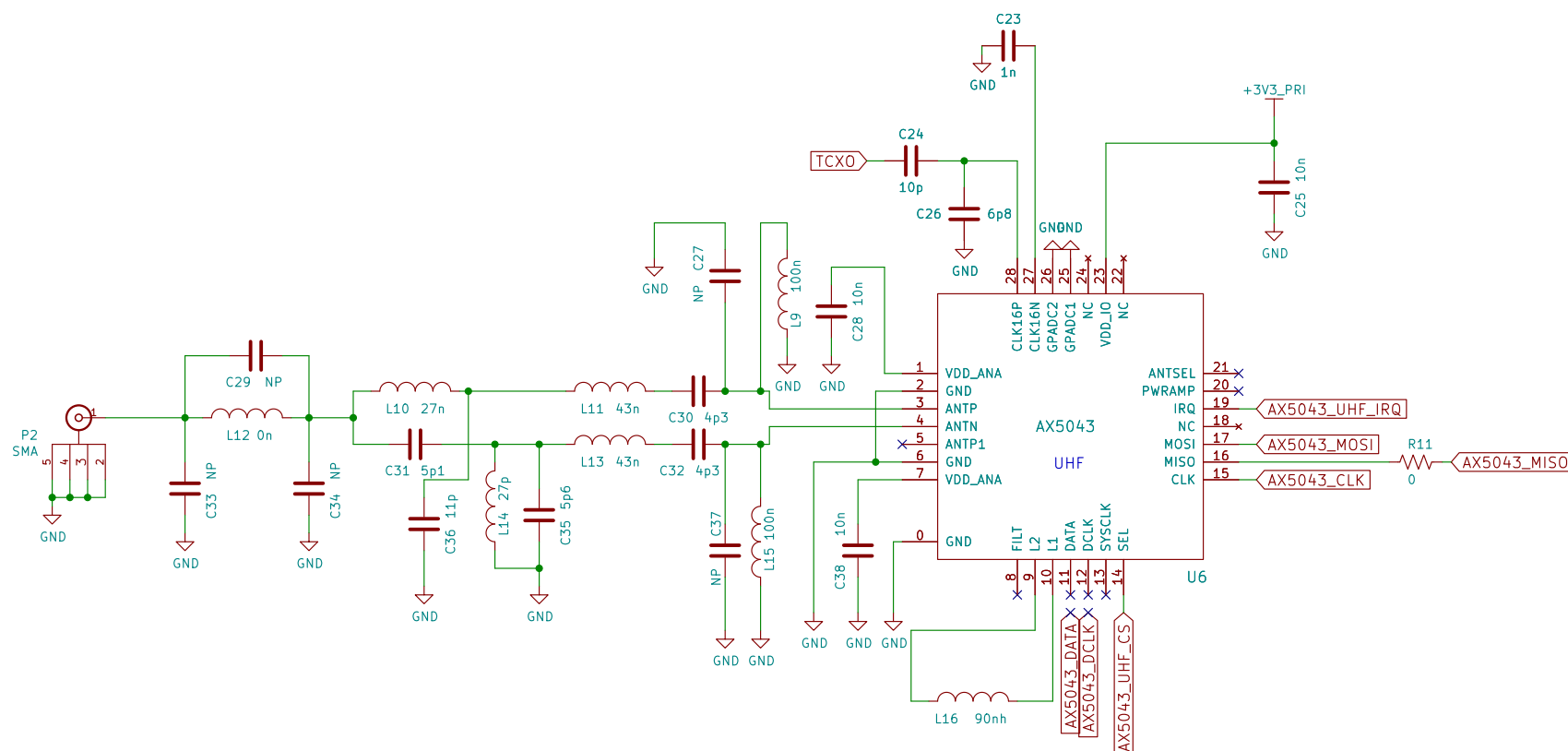
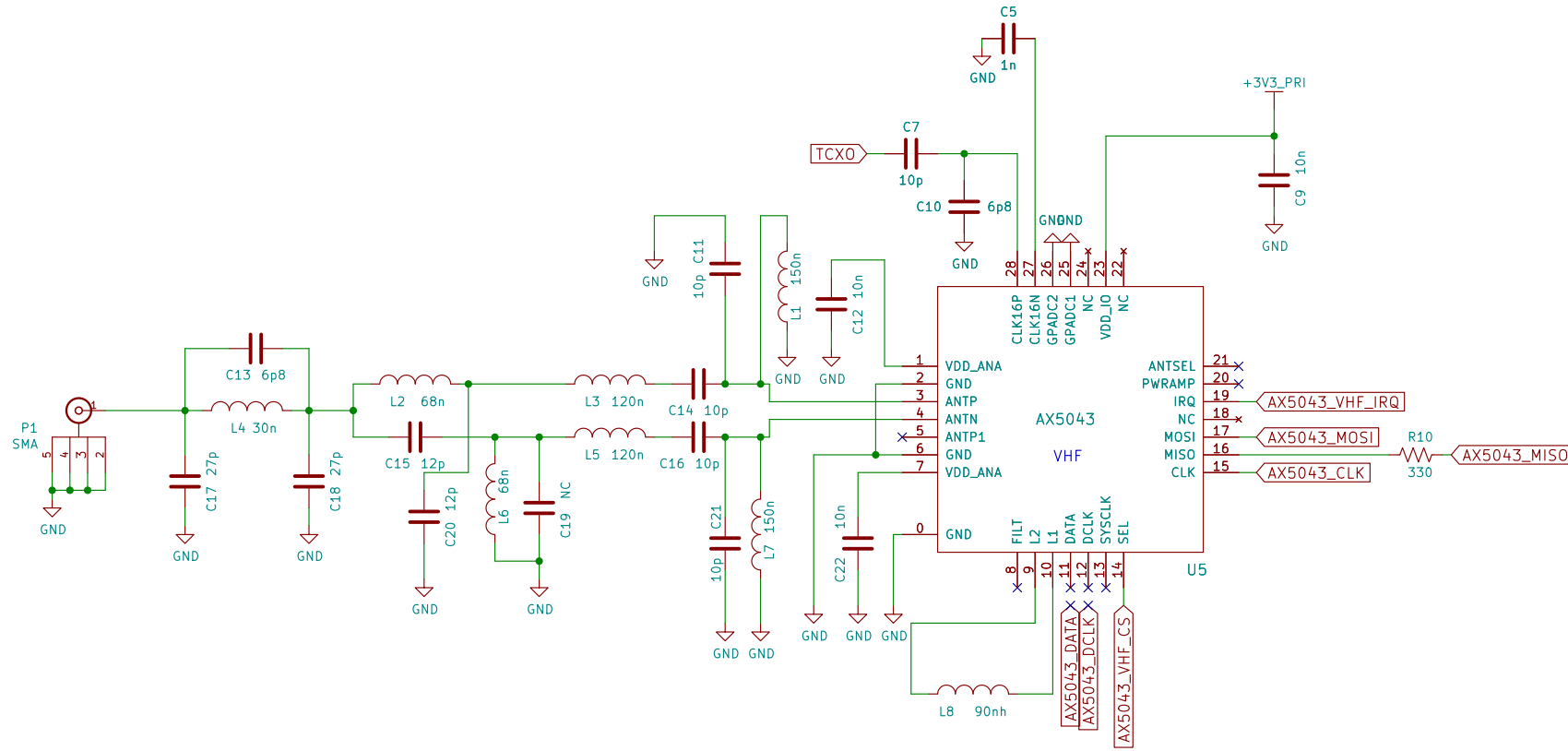
Sheet: /memory/
File: memory.kicad_sch

Title:

Size: A4
KiCad E.D.A. kicad (6.0.10)

Date:

Rev:
Id: 2/3



Pinout not correct
Select TCXO before committing PCB